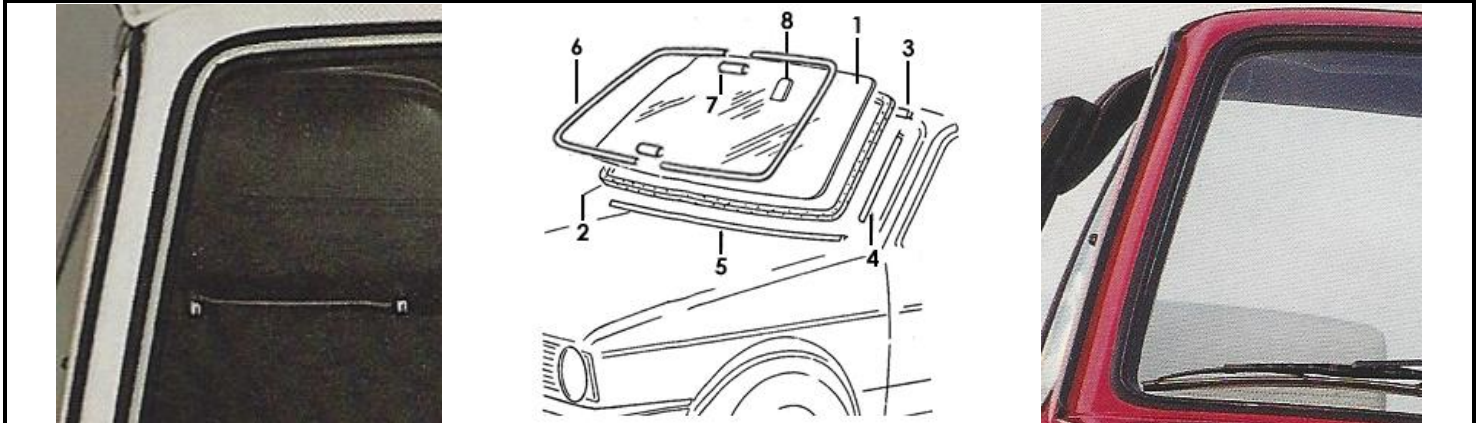









# Volkswagen Cabriolet DIY Guide

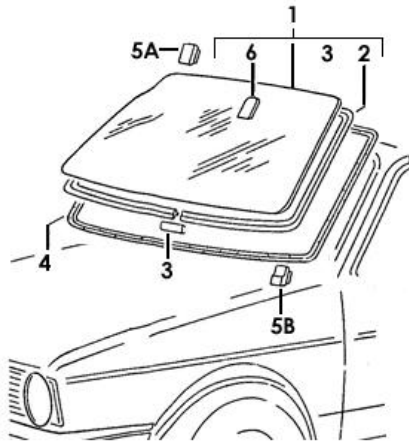
## Glass Components

### Windshield ~ 1979-1993 (press-in)



Diag. #	Component Name	Volkswagen Part #	Industry Part #	Notes	Photo Example
1	Glass (laminated)	161845101	FW332	Without mirror bracket	
			FW399	With mirror bracket	
	Glass (laminated, green tinted)	161845101A			
2	Seal/gasket	171845121	WBL332	Without molding groove	
		171845121A	WCR332	With molding groove	
3	Upper clamping strip	NLA		Use #5 and trim to fit	
4	Side clamping strip	NLA		Use #5 and trim to fit	
5	Lower clamping strip	811845145		Mounts to frame pinch weld	
6	Chrome molding 1979-1989	<del>155853299</del> > 255853305		Supersede part is for Vanagons; 1 piece is more than enough for a Cabriolet - trim as needed	
	Black molding 1989-1993	155853299 01C		NLA	
7	Chrome molding sleeve	171853339A		Two required for original appearance (black version is NLA)	
	Black molding sleeve	155853339			
8	Mirror mounting plate	NLA			

**Windshield ~ 1990-1993 (glue-in, airbag cars only)**



Diag. #	Component Name	Volkswagen Part #	Industry Part #	Notes	Photo Example
1	Glass (laminated, bonded)	155845011K 155845011L	FW659	Comes with 2, 3 & 6 2017: Available at VW Classic Parts	
2	Molding	155853299 01C		NLA	
3	Muff (molding sleeve)	165853339B 01C			
4	Inner cover strip (seal/gasket)	155853778		Available at VW Classic Parts	
5A, 5B	Spacer	NLA			
6	Mirror mounting plate	NLA			

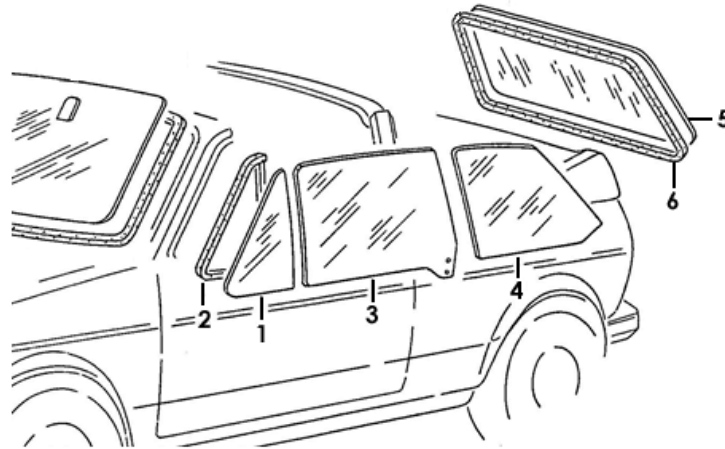
As of February 2012, these windshields now come with a universal gasket, which can lead to water leaks if not installed properly. If you go this route, be sure to observe the installation to ensure the gasket is bonded to the glass and properly glued to the windshield frame.

Update 2017 A: The bonded airbag windshield is now available via VW's Classic Parts; however, it is unclear what gasket is being used with it, since the airbag inner gasket is also available (but the molding is still NLA).



**NEW!** Update 2017 B: While the bonded windshield unit is NLA in the USA, you can order the glass (FW659), two inside moldings (WKT1027), and one outside molding (ET107BFL) to retrofit. Installation: The inside moldings are glued to the windshield frame, joined at center top and bottom. Windshield is glued to the inner molding, followed by gluing the outside molding to the windshield, joined at center bottom. *(Thank you to Robert S. for this info!)*

Press-in retrofit: You can retrofit the press-in windshield into an airbag car. However: 1) The inner cover (gasket) section must be completely and permanently removed from the windshield frame, resulting in a small gap between the new press-in seal and the vinyl/cloth A-pillar covering. This gap is merely aesthetic; it will have no structural detriment. Removing this inner gasket may also remove paint; if this is the case, be sure to touch up those areas before installing the new windshield. 2) Press-in cars utilize clamping strips for proper fit and safety. However, there are actually two windshield frames for LHD Cabriolets, one for non-airbag cars (#155817017) and one for airbag-equipped cars (#155817017A). Whether the airbag cars have the clamping strip pinch weld, I don't know. A number of airbag Cabriolets have been retrofitted to the press-in windshield without utilizing the clamping strips without issue, but installing "update 2017 B" components is the safer option.

## Side & Rear Windows ~ 1979-1993



Diag. #	Component Name	Volkswagen Part #	Industry Part #	Notes	Photo Example
1	Vent window glass (fixed)	171845251		Left, clear	
		171845251A		Left, green-tinted	
		171845252		Right, clear	
		171845252A		Right, green-tinted	
	Vent window glass assembly (opening, bolt-thru)	171845245M		Left, clear	
		171845245P		Left, green-tinted	
		171845246M		Right, clear	
		171845246P		Right, green-tinted	
2	Seal/gasket, vent window (fixed)	171845261A		Left, with molding groove	
		171845262A		Right, with molding groove	
		171845261		Left, without molding groove	
		171845262		Right, without molding groove	
	Seal/gasket, vent window (opening, bolt-thru)	NLA		Left, with molding groove	
		NLA		Right, with molding groove	
		171837529B		Left, without molding groove	
		171837530B		Right, without molding groove	
3	Door window glass	155845201D		Left, clear	
		155845201E		Left, green-tinted	
		155845202D		Right, clear	
		155845202E		Right, green-tinted	
4	Rear side window glass	155845301		Left, clear	
		155845301A		Left, green-tinted	
		155845302		Right, clear	
		155845302A		Right, green-tinted	

5	Rear window glass, heated	155845501		Clear	
		155845501A		Green-tinted	
6	Rear window seal/gasket	155845521			

NLA = no longer available

\*\*\* The information contained in this document is for reference/entertainment use only and may contain accidental inaccuracies. Be sure to double-check all part numbers and/or equipment prior to ordering and installing any of these components. \*\*\*