





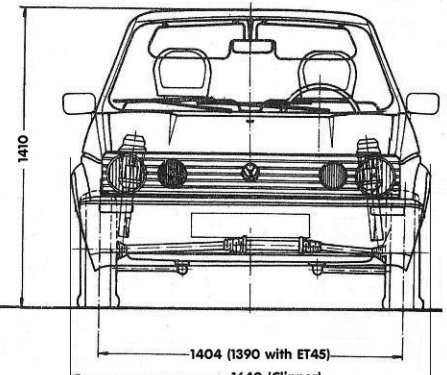
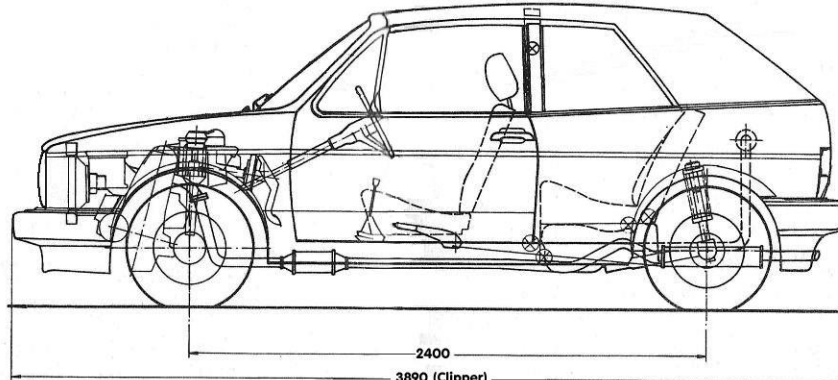
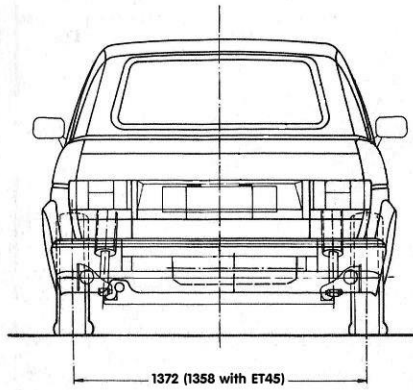
Volkswagen Cabriolet

Body Dimensions

Year	Exterior	Interior	Drag Coefficient
1980 – 1983 	Length: 155.3 inches Width: 63.4 inches Height: 55.5 inches Wheelbase: 94.5 inches Ground clearance: 4.8 inches Turn radius: 31.2 feet, curb to curb	Front head room: 37.4 inches Front leg room: 39.4 inches Trunk capacity: 6.5 cubic feet Max. seating capacity: 4	Drag (C_d): 0.49 Frontal area A[m²]: 1.86 C_dA: 0.91
1984 – 1985 	Length: 159.3 inches Width: 64.2 inches Height: 55.6 inches Wheelbase: 94.5 inches Ground clearance: 4.9 inches Turn radius: 31.2 feet, curb to curb	Front head room: 37.4 inches Front leg room: 39.4 inches Trunk capacity: 6.5 cubic feet Max. seating capacity: 4	Drag (C_d): 0.49 Frontal area A[m²]: 1.86 C_dA: 0.91
1986 – 1987 	Length: 151.3 inches Width: 64.2 inches Height: 55.6 inches Wheelbase: 94.5 inches Ground clearance: 4.9 inches Turn radius: 31.2 feet, curb to curb	Front head room: 37.4 inches Front leg room: 39.4 inches Trunk capacity: 6.5 cubic feet Max. seating capacity: 4	Drag (C_d): 0.49 Frontal area A[m²]: 1.86 C_dA: 0.91
1988 – 1993 	Length: 153.1 inches Width: 64.6 inches Height: 55.6 inches Wheelbase: 94.5 inches Ground clearance: 4.9 inches Turn radius: 31.2 feet, curb to curb	Front head room: 37.4 inches Front leg room: 39.4 inches Trunk capacity: 6.5 cubic feet Max. seating capacity: 4	Drag (C_d): 0.46 Frontal area A[m²]: 1.86 C_dA: 0.89

VOLKSWAGEN TYPE 155 - CABRIO

M 1 : 10



3890 (Clipper)
3815 (Euro)
3937 (USA, 1980-1982)
4038 (USA, 1983-1985)
3835 (USA, 1986-1987)

1640 (Clipper)
1630 (pre-Clipper)
1610 (sans flares)

